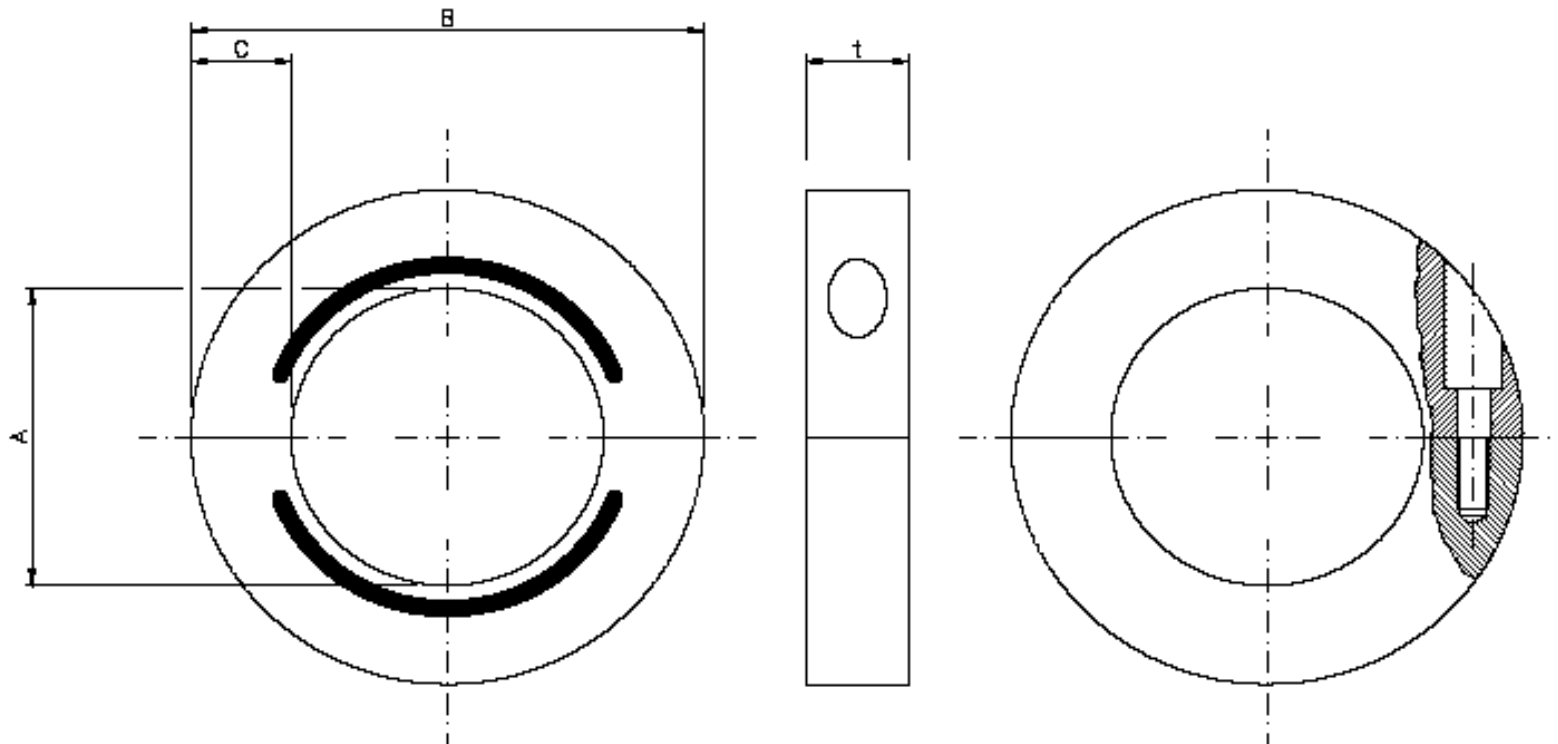


Overview dimensions Sialex™Ring



Ring Dimension	Dimension in DN	A (in mm)	B (in mm)	C (in mm)	t (in mm)
1/2"	15	24,0	76,0	25,0	30,0
3/4"	20	31,0	83,0	25,0	30,0
1"	25	37,0	89,0	25,0	30,0
1 1/4"	32	46,0	98,0	25,0	30,0
1 1/2"	40	51,0	103,0	25,0	30,0
2"	50	63,0	125,0	30,0	30,0
2 1/2"	65	75,0	137,0	30,0	30,0
3"	80	91,0	153,0	30,0	40,0
4"	100	120,0	192,0	35,0	40,0
5"	125	150,0	222,0	35,0	40,0
6"	150	180,0	252,0	35,0	40,0
8"	200	230,0	312,0	40,0	40,0
10"	250	285,0	367,0	40,0	60,0
12"	300	335,0	417,0	40,0	60,0
14"	350	365,0	467,0	50,0	60,0
16"	400	on request	on request	on request	on request
18"	450	on request	on request	on request	on request
20"	500	on request	on request	on request	on request
22"	550	on request	on request	on request	on request
24"	600	on request	on request	on request	on request