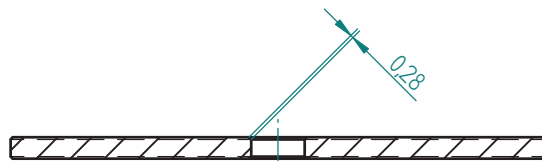
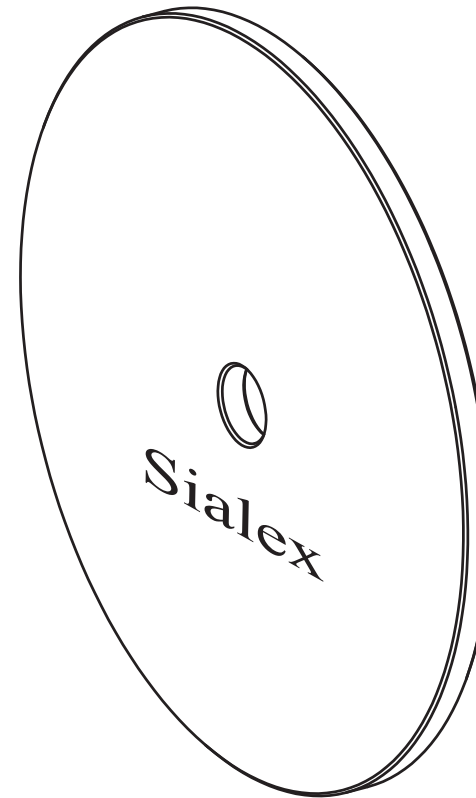
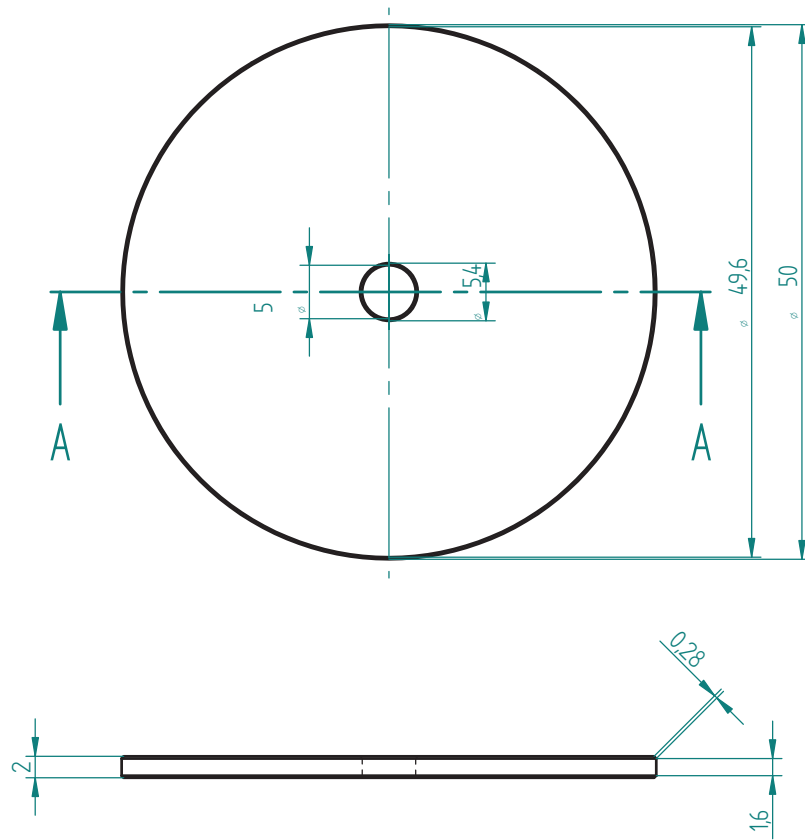


REVISION HISTORY			
REV	DESCRIPTION	DATE	APPROVED
01	Sialex project	2011	



SECTION A-A

NAME		DATE		Sialex		
DRAWN	Dipl.Ling Kolev	09/24/11		TITLE		
CHECKED				Sialex project		
ENG APPR				SIZE	DWG NO	REV
MGR APPR				A3	11.09.00.01.01	01
UNLESS OTHERWISE SPECIFIED DIMENSIONS ARE IN MILLIMETERS ANGLES ±X.X° 2 PL ±X.XX 3 PL ±X.XXX				FILE NAME: Sialex project 3.dft		
				SCALE:	WEIGHT:	SHEET 1 OF 1