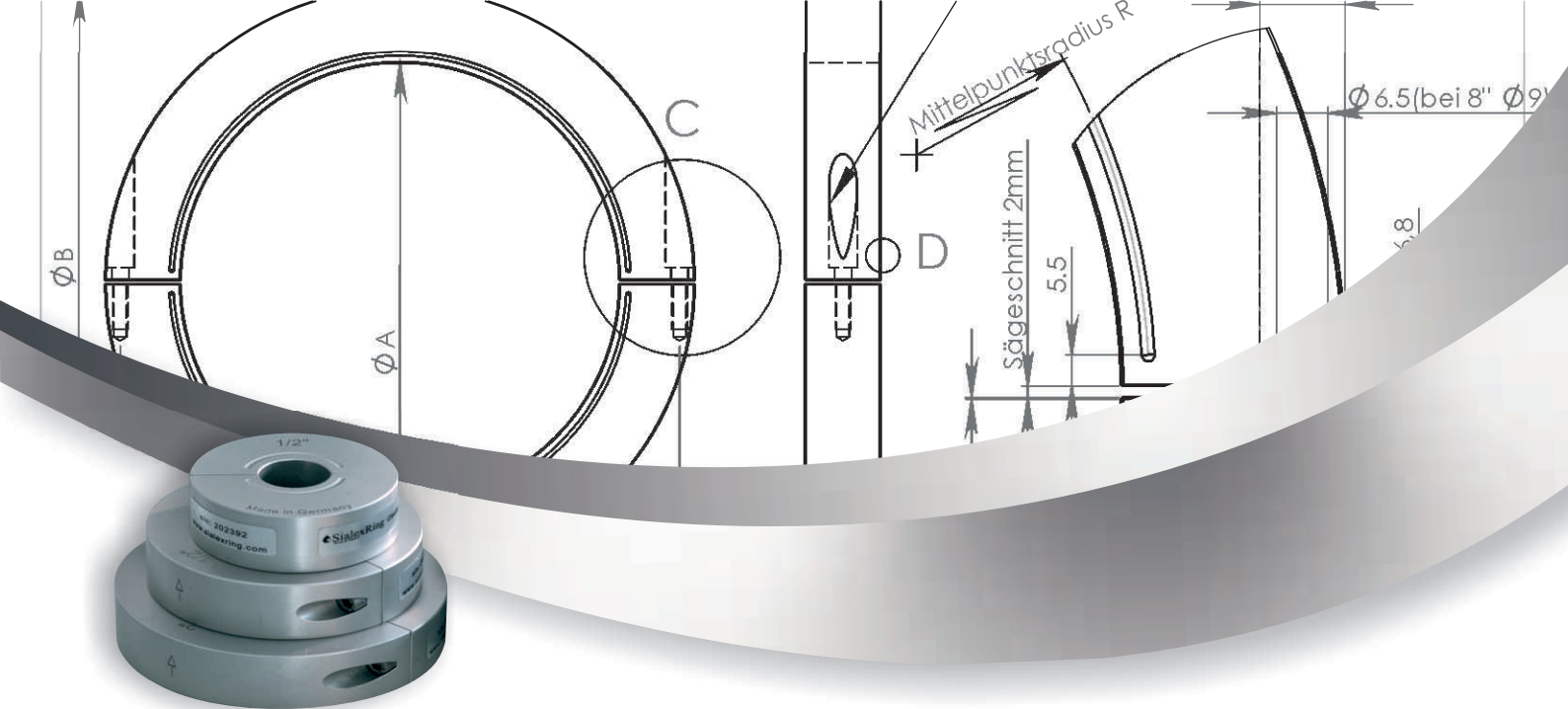




Effective protection against lime scale & corrosion



FOR INDUSTRIAL USE



The proven physical water treatment system for equipment, plants and pipes

Whether in pipes, cooling circuits or heat exchangers: already some millimeter of lime deposits might account for a considerable increase in energy demand and costs. By using the Sialex®Ring-Technology deposits like lime, biofilm and rust in water-bearing machines or pipes are efficiently, cost-effectively and environmentally-friendly reduced. This physical process technology, which increases the solubility of the substances contained in water, works without chemicals, energy and magnetism. Waste products do not arise.

Many companies - such as automotive suppliers, dairies, offshore oil platforms, large breweries, metal-processing plants, as well as office complexes, airports, major hotel chains, property management companies and nursing homes - have been using our technology worldwide for two decades.

- » Broadband effect against lime scale, corrosion, bio-film, hard water and oxidation
- » Long lifetime
- » Very good cost-benefit factor = high economic efficiency
- » No cutting of water-bearing pipes; additional components are not required
- » No maintenance and follow-up costs (no consumables)
- » Works even with high water volumes (multiple 1,000 m³/h)
- » Also at highest water hardness ranges
- » Many options of impact monitoring
- » Installation without production stop
- » No installation costs

The Sialex®Ring is available in different sizes.



Sven Gagel (Managing Director)



Effective

Before and after

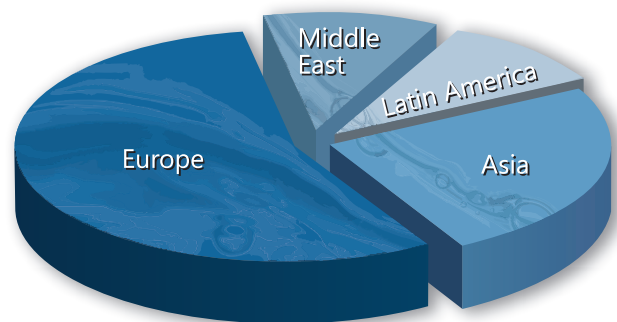


Not only new deposits are prevented, but also existing deposits will be removed.

(Application: Whey separator, Ireland)

Proven Quality

In use all over the world



Proven technology. Already used in ten thousands of applications.

Sprudelhof, Bad Nauheim

Is using Sialex® in pipes and "Sprudeltassen"



After many competitors already failed, three Sialex®Rings have been installed in extreme conditions.

Successful: Already after some weeks old deposits have been removed.

And despite a water hardness of 244 °dH (German hardness - °dH); 4,355 ppm; 43.5 mmol/L (!!)) the customer is still happy after many years.

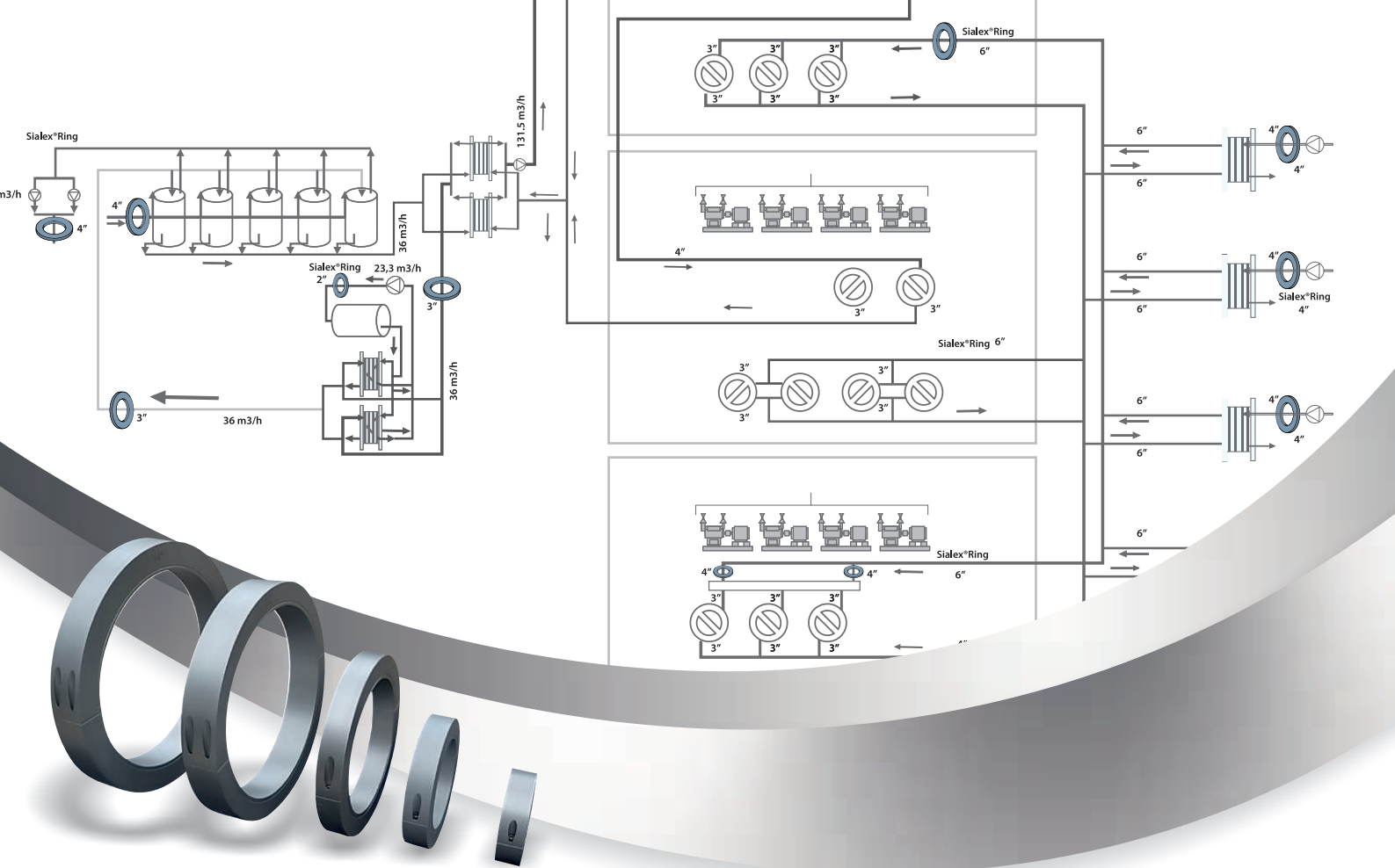
Dörr CNC GmbH

Is using Sialex® for cooling circuit and machinery



This specialized company for metal processing from Hessen, Germany encountered more and more lime in their cooling circuit and in different processing units before the Sialex®Systems have been installed at previously evaluated positions.

Today the whole production process benefits from markedly decreased maintenance and cleaning costs.



We guarantee: It works!

We are glad to provide advice how our technology may also be effectively employed in your production.

Contact us still today:

SialexRing A product of Phoenix Ring Manufaktur, Germany

Phoenix Ring Manufaktur GmbH
Haisterbacher Strasse 7
D-64711 Erbach / Germany

Tel.: +49(0) 6062/91031 - 41
Fax: +49(0) 6062/91031 - 42
Mail: info@sialexring.com
Web: www.sialexring.com

